



Digitally Signed SAP Notes

Priti Dhingra, SAP Labs India
18 March 2019

Customer

Disclaimer

The information in this presentation is confidential and proprietary to SAP and may not be disclosed without the permission of SAP. Except for your obligation to protect confidential information, this presentation is not subject to your license agreement or any other service or subscription agreement with SAP. SAP has no obligation to pursue any course of business outlined in this presentation or any related document, or to develop or release any functionality mentioned therein.

This presentation, or any related document and SAP's strategy and possible future developments, products and or platforms directions and functionality are all subject to change and may be changed by SAP at any time for any reason without notice. The information in this presentation is not a commitment, promise or legal obligation to deliver any material, code or functionality. This presentation is provided without a warranty of any kind, either express or implied, including but not limited to, the implied warranties of merchantability, fitness for a particular purpose, or non-infringement. This presentation is for informational purposes and may not be incorporated into a contract. SAP assumes no responsibility for errors or omissions in this presentation, except if such damages were caused by SAP's intentional or gross negligence.

All forward-looking statements are subject to various risks and uncertainties that could cause actual results to differ materially from expectations. Readers are cautioned not to place undue reliance on these forward-looking statements, which speak only as of their dates, and they should not be relied upon in making purchasing decisions.

Agenda

Motivation

How to Consume Digitally Signed SAP Notes

- Upload/Download Digitally Signed SAP Notes using SNOTE transaction
- Download options

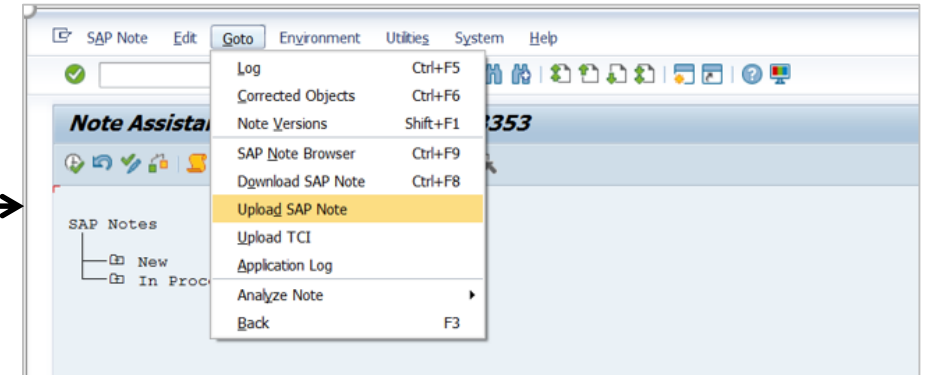
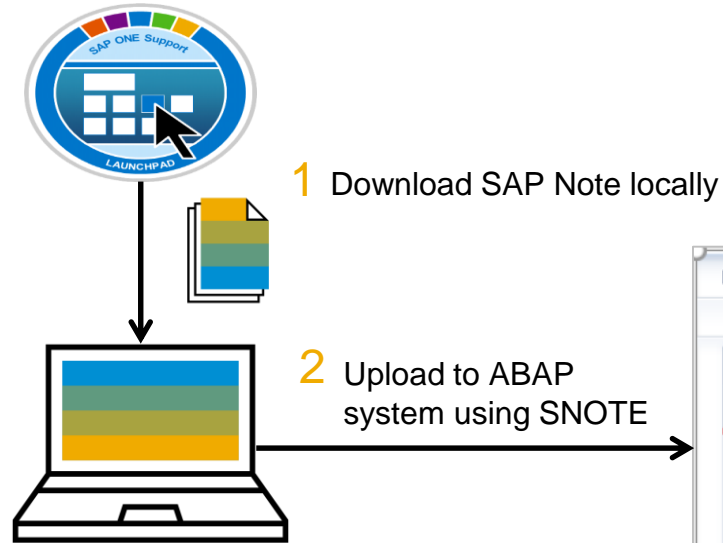
Summary

Download of **digitally signed SAP Note**

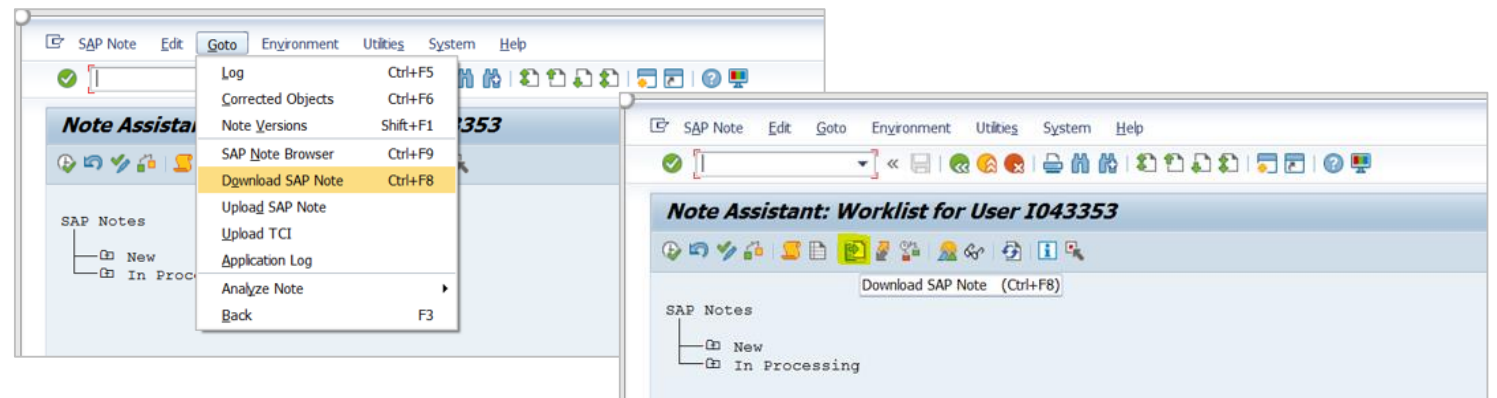


Two ways of getting an SAP Note into your ABAP system

Upload SAP Note using SNOTE transaction of ABAP system



Download SAP Note using SNOTE transaction of ABAP system



Digital signing of SAP Notes



Security

Motivation



The SAP Notes files can get maliciously modified and customers can unknowingly upload the maliciously modified SAP Notes files into their ABAP systems.



Solution Approach



To deliver all SAP Notes with digital signature to protect SAP Notes files with increased authenticity and improved security.

Digital signing of SAP Notes



- ✓ All SAP Notes (having correction instructions) are digitally signed when released for customers.
- ✓ One Support Launchpad provides only digitally signed SAP Notes for download.
- ✓ SNOTE can be enabled for download of digitally signed SAP Notes by implementing SAP Notes [2408073](#), [2546220](#), [2508268](#).
- ✓ An equivalent Transport-Based Correction Instruction (TCI) is available as SAP Note [2576306](#) containing the above SAP Notes.
- ✓ If the Note Assistant in your ABAP system is enabled for TCI, it is recommended to implement TCI SAP Note [2576306](#) instead of applying the above individual SAP Notes.
- ✓ Further configuration steps in the following slides apply.



Post January 1, 2020, the download and upload process will stop working unless Note Assistant (SNOTE transaction) is enabled in ABAP systems to work with digitally signed SAP Notes.

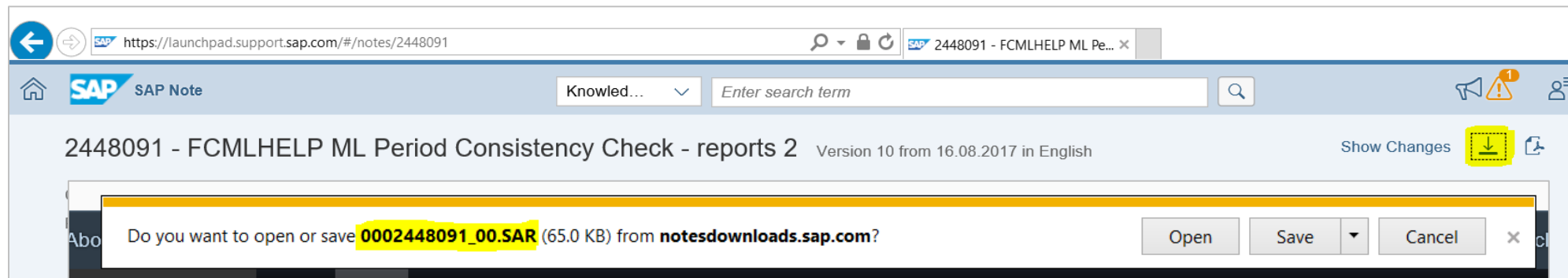
How to consume digitally signed SAP Notes from SAP ONE Support Launchpad

Digitally signed SAP Notes are now available from SAP ONE Support Launchpad.

Prerequisite: Implement SAP Security Notes [2408073](#), [2546220](#) in your ABAP system

Procedure:

- ✓ Download the digitally signed SAP Note from SAP ONE Support Launchpad



- ✓ Run the SNOTE transaction
- ✓ From the menu bar, choose Goto → Upload SAP Note

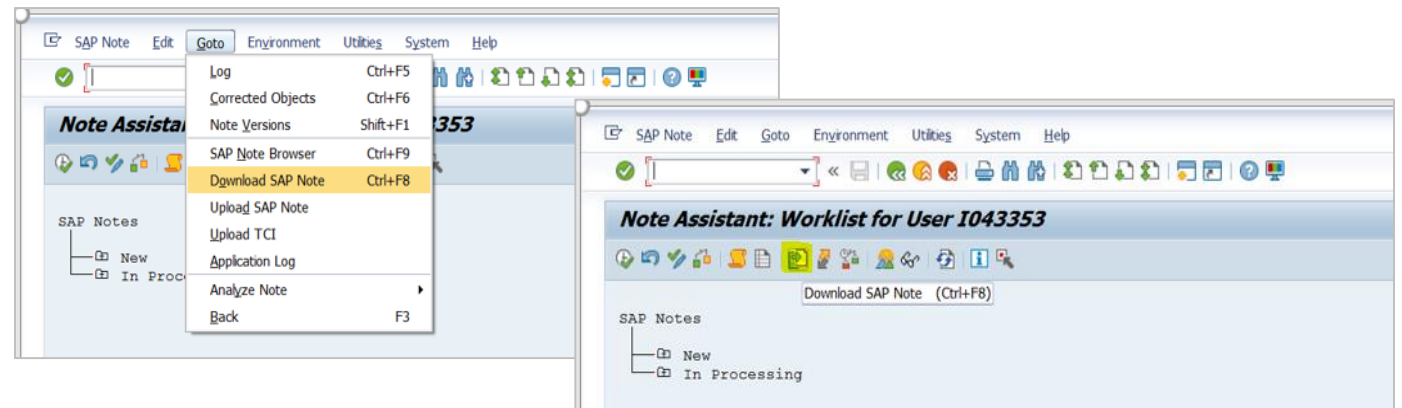
How to download digitally signed SAP Notes from SNOTE Transaction

Prerequisite: To enable download of digitally signed SAP Notes using SNOTE transaction, implement one of the following.

- SAP Note [2508268](#), [2408073](#) and [2546220](#) (classic automated CIs) or
- SAP Note [2576306](#) (TCI)
(The TCI [2576306](#) contains in it the SAP notes [2508268](#) , [2408073](#), [2546220](#))

Procedure:

- ✓ Run the transaction SNOTE
- ✓ From the menu bar, choose Goto → Download SAP Note



The SAP Notes [2508268](#) or [2576306](#) (TCI) also provides different procedures for download that can be configured.

Download of digitally signed SAP Note: Download procedures



Customization for downloading SAP Notes via SNOTE

With the introduction of digitally signed SAP Notes, various procedures are offered for downloading SAP Notes.

- **Remote Function Call (RFC)**
- **HTTP Protocol**
- **Download Service Application**

Defining Procedure for Downloading SAP Note

Select procedure to download SAP Note

Remote Function Call (RFC)

HTTP Protocol

RFC Destination (H Type) for SAP Support Portal: SAP-SUPPORT_PORTAL

RFC Destination (G Type) for SAP Note Download: SAP-SUPPORT_NOTE_DOWNLOAD

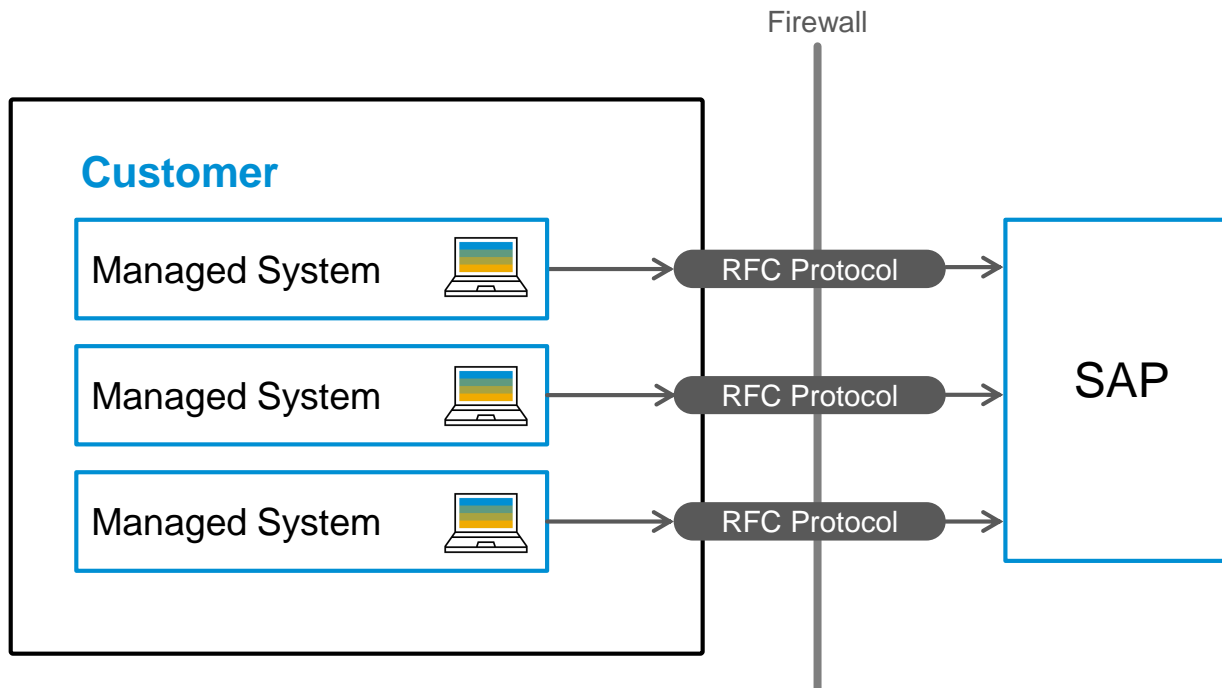
Download Service Application

- The report ***RCWB_SNOTE_DWNLD_PROC_CONFIG*** is used for customizing the different procedures
- If you are on the SPS level where the feature is delivered or implemented the TCI [2576306](#), this activity can be performed through IMG customization (IMG > SAP NetWeaver Implementation Guide > Application server > Basis Services > SNOTE)
- This is a one-time set up. If required, you can change the settings in this report at any given point in time.

RFC procedure for download of digitally signed SAP Note



Prerequisite SAP Notes for Managed system:
([2408073](#), [2546220](#), [2508268](#)) or [2576306](#)

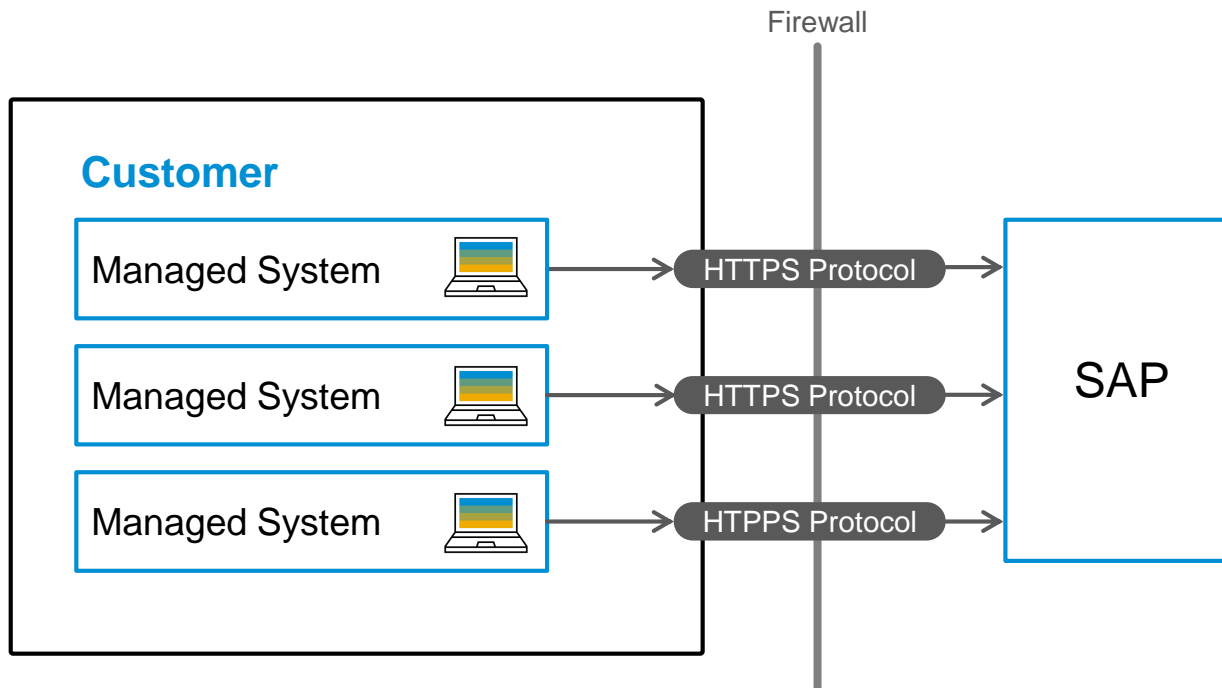


- Available for SAP_BASIS release 700 and above.
- This is the default procedure for all releases of SAP_BASIS until end of 2019.
- From January 1st 2020 the following will be enforced:
 - This procedure will be the default option for SAP_BASIS releases 700 to 731 **only**.
 - Generic user (OSS_RFC) will **not** be allowed in RFC destinations **SAPOSS/SAPSNOTE**. Only customer S-user (recommended is Technical Communication User) will be allowed.
 - RFC destinations **SAPOSS/SAPSNOTE** will **not** work in ABAP systems on SAP_BASIS release 740 and above. Instead HTTPS communication should be used.

HTTPS procedure for download of digitally signed SAP Note



Prerequisite SAP Notes for Managed system:
([2408073](#), [2546220](#), [2508268](#)) or [2576306](#)



- Available for SAP_BASIS release 740 onwards
- Destinations to SAP Support Portal and SAP Note Download needs to be defined (SM59). Use S-user (recommended Technical Communication User) in the H and G type destinations.
- HTTPS encryption and communication path needs to be configured
- By following recommended destination names, configuration can be reused in other scenarios

Defining Procedure for Downloading SAP Note

Select procedure to download SAP Note

Remote Function Call (RFC)

HTTP Protocol

RFC Destination (H Type) for SAP Support Portal:

RFC Destination (G Type) for SAP Note Download:

Download Service Application

Alternative for configuring HTTPS communication



Prerequisite SAP Notes for Managed system: [2738426](#)

- HTTPS prerequisites can also be configured by executing automated Task List SAP_BASIS_CONFIG_OSS_COMM in ABAP Task Manager (STC01)
- Task List is available in systems with at least SAP_BASIS 740 after applying TCI in SAP Note 2738425
- Technical Communication User and SAP Router string needs to be prepared before execution

Maintain Task List Run SAP_BASIS_CONFIG_OSS_COMM_20181121072348283

Task List: SAP_BASIS_CONFIG_OSS_COMM

Task List Run: SAP_BASIS_CONFIG_OSS_COMM_20181121072348283

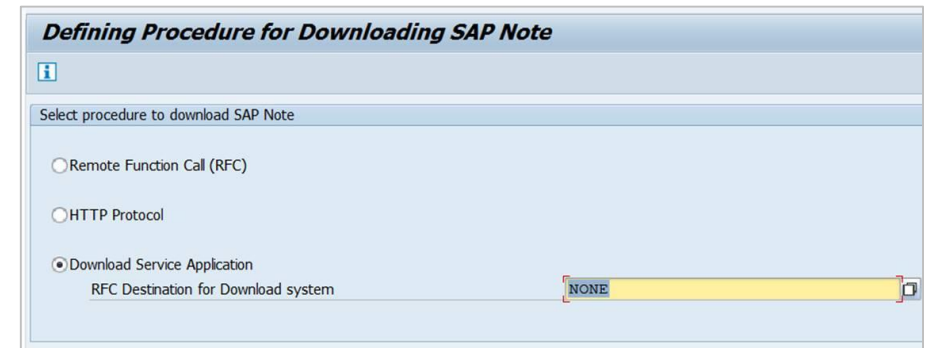
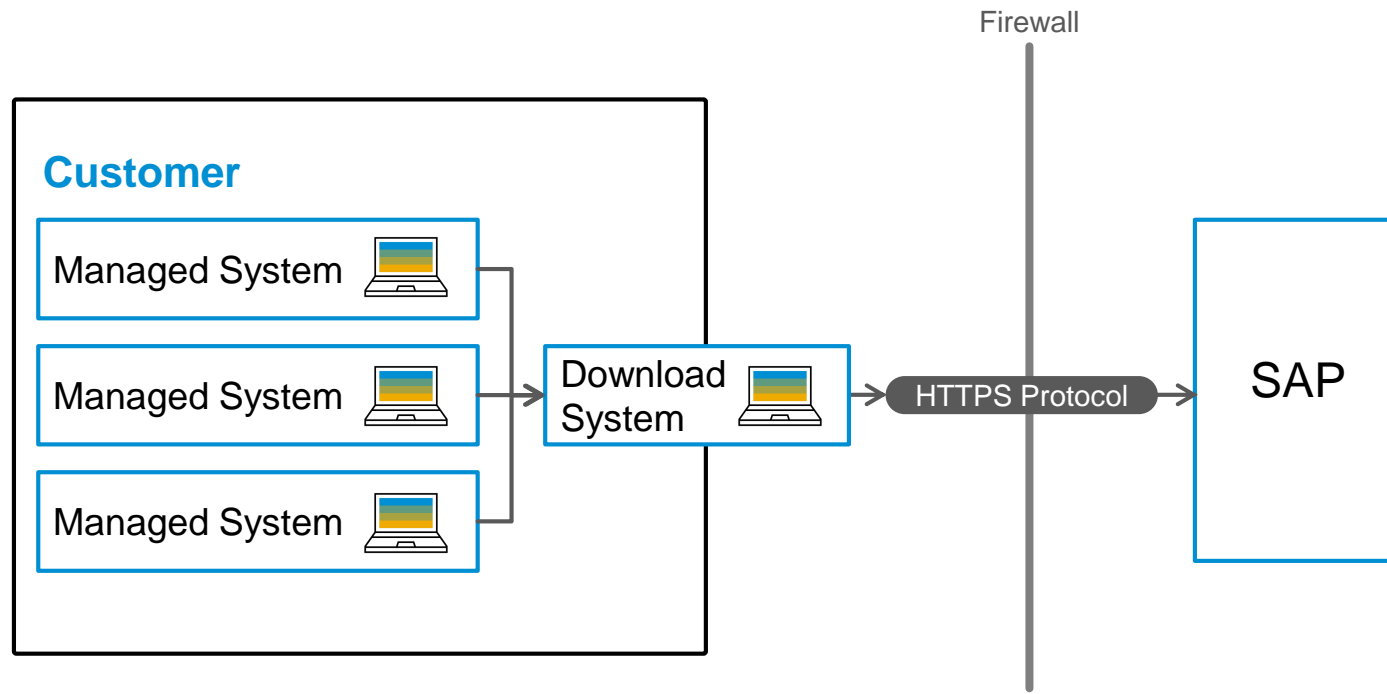
Ex...	Ch...	St...	Log	Phase	Component	Task Description	He...	Pa...	Parameter Description
<input checked="" type="checkbox"/>				Verification	SECURITY	New OSS: Check CommonCryptoLib (SAPCRYPTOLIB) Version >= 8.4.48			
<input checked="" type="checkbox"/>				Verification	SECURITY	New OSS: Check TLS protocol version >= TLSv1.1 w. BEST-OPTION			
<input checked="" type="checkbox"/>				Verification	STRUST	New OSS: Check Certificates for SSL Client			
<input checked="" type="checkbox"/>				Configuration	RFC	Create ABAP / HTTP(S) Connections for SAP System (SM59)			
<input checked="" type="checkbox"/>				Configuration	OSS1	Old OSS Comm: Configuration of SAPOSS Connection (OSS1)			
<input checked="" type="checkbox"/>				Configuration	ICM	New OSS: Restart ICM (SMICM)			

Download of digitally signed SAP Note using Download Service application



Prerequisite SAP Notes for Managed system: ([2408073](#), [2546220](#), [2508268](#)) or [2576306](#)
Prerequisite SAP Notes for Download system: [2554853](#)

- Available for SAP_BASIS release 700 onwards
- Any ABAP system having download service can be used as download system. Example: SAP Solution Manager 7.2 system
- **Advantage:** Associated Transport based Correction Instruction (TCI) packages and prerequisite SAP Notes are downloaded automatically



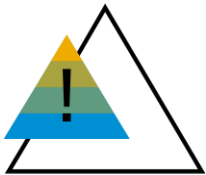
Download of unsigned SAP Notes as fallback

- With the implementation of the SAP Note [2508268](#) or [2576306](#) digitally signed SAP Notes are downloaded by default.
- Following customization is also provided to choose download of unsigned SAP Note as fallback via the report RCWB_UNSIGNED_NOTE_CONFIG.
- If you are on the SPS level where the feature is delivered or implemented the TCI [2576306](#), this activity can be performed through IMG customization (IMG > SAP NetWeaver Implementation Guide > Application server > Basis Services > SNOTE)

If digitally signed SAP Note is not available, select your option from the following:

Download unsigned SAP Note

Do not download unsigned SAP Note



Download of unsigned SAP Note in SNOTE will be supported only until end of 2019.

Summary

- All SAP Notes are digitally signed
- SAP One Support Launchpad provides **only** digitally signed SAP Notes
- Three different procedures (RFC, HTTPS, Download Service) available for downloading digitally signed SAP Notes in SNOTE transaction
 - In using Download Service the Transport-Based correction instruction (TCI) packages and prerequisite SAP Notes are downloaded automatically
- **Download of unsigned SAP Notes will be stopped from January 1st 2020.**
- SAP Notes needed for consuming digitally signed notes are as follows:

Scenario

SAP Note

Upload of digitally signed SAP Note

[2408073](#) and [2546220](#)

Download of digitally signed SAP Note

[2508268](#) or [2576306](#) (TCI)

Download of digitally signed SAP Note using Download Service (in download system)

[2554853](#)

Learn more: FAQ: [2537133 – FAQ Digitally Signed SAP Notes](#); [Note Assistant @SAP Support Portal](#)

Next steps

Enable your ABAP systems for upload/download of digitally signed SAP Notes by end of 2019.

SAP_BASIS Release	2019	2020	Preparation for 2020
700 to 731	SAPOSS/SAPSNOTE will work	SAPOSS/SAPSNOTE will work only with S-user (recommended Technical Communication User)	<ul style="list-style-type: none">For continuing using RFC procedure for download, replace OSS_RFC user in SAPOSS/SAPSNOTE with S-user. Recommendation is to use Technical Communication UserAlternative is to use Download Service
740 and above	SAPOSS/SAPSNOTE will work	SAPOSS/SAPSNOTE will not work.	Enable one of the following procedures. <ul style="list-style-type: none">HTTPS protocol or <ul style="list-style-type: none">Download service (RFC way for download will not be allowed)

Learn more: FAQ: [2537133 – FAQ Digitally Signed SAP Notes](#); [Note Assistant @SAP Support Portal](#)

Thank you.

Priti Dhingra

Product Manager

Cloud & Lifecycle Management

priti.dhingra@sap.com